

VDA Series DVI Splitters

Single-Link 1:2, Single-Link 1:4, Dual-Link 1:2



The Logical Solution

The DVI Splitters from Thinklogical sends a video source to either 2 or 4 displays without any signal loss. Installation is plug and play, no adjustments are necessary.

The Features

- Sends one Single-Link DVI video signal (Single-Link 1:2 and Single-Link 1:4 models only)
- Sends one Dual-Link DVI video signal to two displays (Dual-Link 1:2 model only)
- Flawless image quality with no frame dropping
- DDC2B compliant (Video source connects to output 1)
- Simple plug and play
- Small form factor
- Compatible with all Thinklogical™ DVI Extenders

The System

The VDA Series DVI Splitters consist of three splitter types. A one input, two output single-link video signal; a one input, four output single-link video signal and; a one input, two output dual-link video signals splitter. Each unit is supplied with a DC power supply as well as all required cabling.

The Models

The **VDA-1 (SL 1:2)** distributes a Single-Link DVI video source to two Single-Link displays.

The **VDA-2 (SL 1:4)** distributes a Single-Link DVI video source to four Single-Link displays.

The **VDA-3 (DL 1:2)** distributes a Dual-Link DVI video source to 2 Dual-Link displays.

Copper Connectors

VDA-1 (SL 1:2)

Video DVI-D (3)
Power 2.5mm threaded connector

Cables Included with VDA-1

Single-Link DVI-D male to male, 2 meters (2)

VDA-2 (SL 1:4)

Video DVI-D (5)
Power 2.5mm threaded connector

Cables Included with VDA-2

Single-Link DVI-D male to male, 2 meters (3)

VDA-3 (DL 1:2)

Video DVI-D (3)
Power 2.5mm threaded connector

Cables Included with VDA-3

Dual-Link DVI-D male to male, 2 meters (2)

Specifications

Video Resolution Single-Link DVI 1920 x 1200
Dual-Link DVI 3840 x 2400
Supply Voltage +5.0 VDC
Operating Temp. 0°-50°C; (32°-122°F)
Humidity 5-95% RH, non-condensing
Dimensions

For VDA-1 and VDA-3:

Height: 1.187" (3.00cm)
Depth: 1.920" (4.90cm)
Width: 6.130" (15.60cm)

For VDA-2:

Height: 1.187" (3.00cm)
Depth: 2.689" (6.80cm)
Width: 7.080" (18.00cm)
(Tolerance: ± .010"; .025cm)

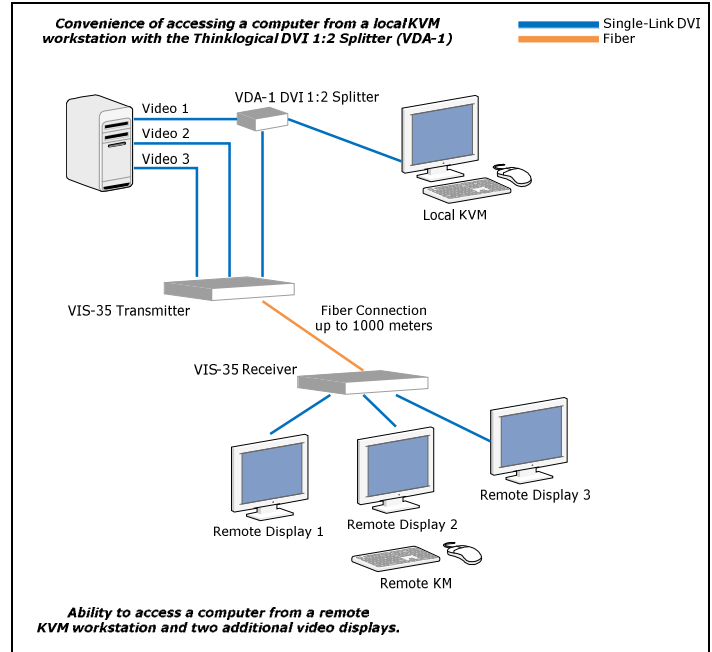
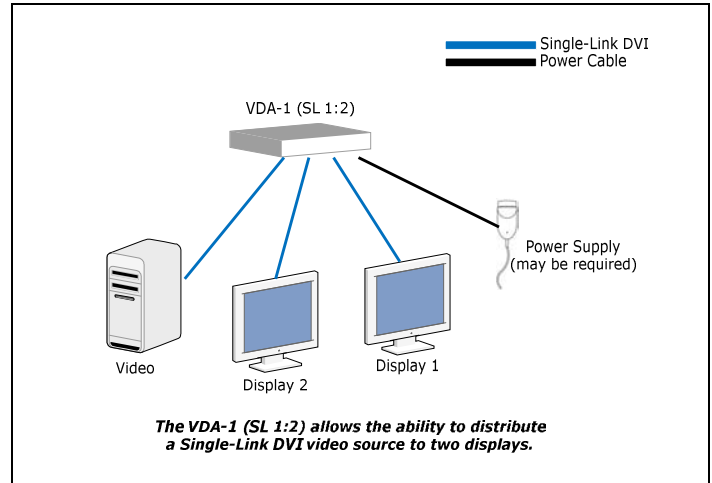
Weights Weight: <1lb (0.45kg) each
Shipping Weight: 3lbs (1.36kg) each

Power Consumption 3 watts per unit
DC Adapter AC/DC adapter universal input 90-264 VAC (supplied)

Warranty 12 months from date of shipment.

Extended warranties available

Typical Application for the VDA Series



Ordering Information

Please contact a Thinklogical sales representative.

Thinklogical™ Direct Sales:

100 Washington Street, Milford, CT 06460
Phone: 1-800-291-3211 Fax: 1-203-783-9949
(M-F 8:30am-5:30pm, EST)
Email: sales@thinklogical.com