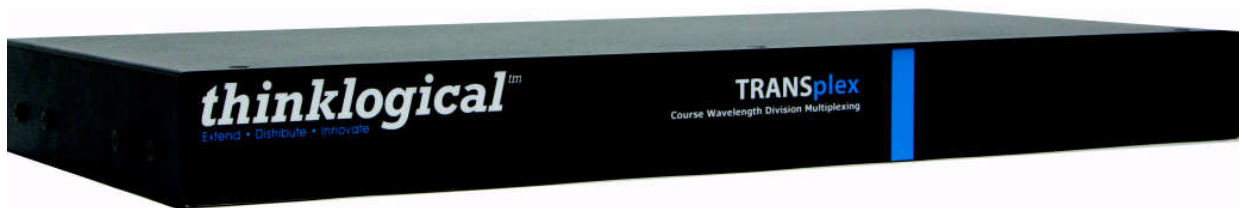


TRANSplex

- CWDM 1U Rack Mount Unit
- 6 Modules per 1U
- 18 Wavelengths Available from 1270-1610, 20 nm spacing
- 4 Channel or 8 Channel Configurations
- Single Mode with Standard LC Connectors
- Cascadable



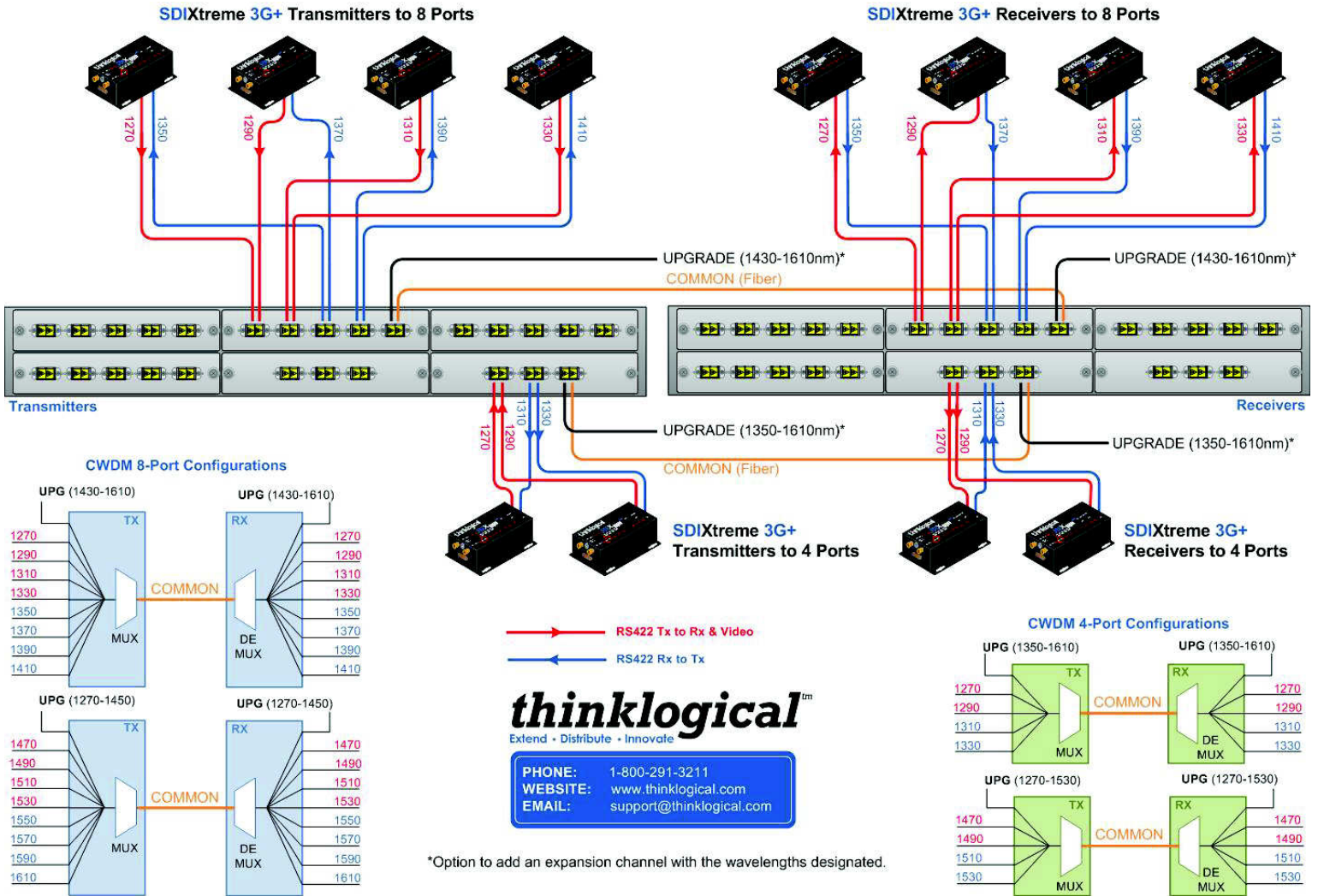
The Logical Solution -

Increase fiber bandwidth capacity by transmitting multiple data channels using separate optical wavelengths - 1270nm to 1610nm - on the same fiber

The TRANSplex is a 4 to 8 channel optical multiplexer / demultiplexer. It allows for transmission of multiple protocols over an existing fiber link by combining the fiber outputs of multiple media converters. The TRANSplex system is completely passive, i.e. requires no main or DC power to be applied, with all of the transmission power coming from the source optics. In addition, it supports a variety of wavelength combinations and port configurations, which ultimately enables more information to be sent over the existing fiber media. This makes the solution highly reliable and cost-effective.

The TRANSplex system is designed to be integrated with Thinklogical's SDI Xtreme 3G line of SDI extenders. The modules can be used standalone or integrated into a 1 RU 19" rack frame, ideal for system installations. Single-mode fiber runs of up to 80km can be supported.

Typical application using TRANSplex CWDM



Key Features

- CWDM 1U Rack Mount Unit
- 6 Modules per 1U
- 18 Wavelengths Available (from 1270-1610, 20nm spacing)
- 4 Channel or 8 Channel Configurations
- Operating Temperature 0°C-65°C
- Standard LC Connectors (Single Mode)
- Low Insertion Loss
 - 4 Channel= 1.5 dB
 - 8 Channel= 2.5 dB
- Cascadable

SPECIFICATIONS

Dimensions:	Rack Size: EIA 19"
	Height: 1U- 1.72" (4.40 cm)
	Depth: 8.875" (22.5 cm)
	Width: 17.49" (44.5 cm)
	(Tolerance: ±.039"; .100 cm)
Weight:	≈ 8.5 lb. (≈ 3.855 kg.)
Operating Temperature:	0° C to 65° C
Storage Temperature:	-40° C to 85° C

ALL FIBER SPECS REFLECT SINGLE-MODE FIBER

TRANSplex Ordering Information

TPX-000006 TRANSplex CWDM Rack Mount Chassis

Select up to 6 TRANSplex Modules (TPM) per chassis, in any combination*

TPM-4CH001-LC	TRANSplex Module, 4 Channel, 1270-1330NM, LC
TPM-4CH002-LC	TRANSplex Module, 4 Channel, 1470-1530NM, LC
TPM-8CH001-LC	TRANSplex Module, 8 Channel, 1270-1410NM, LC
TPM-8CH002-LC	TRANSplex Module, 8 Channel, 1470-1610NM, LC

*Each module is available for individual purchase without rackmount chassis

Please contact your Thinklogical sales representative for custom configuration ordering