

# Virtuoso-PRO

## professional audio extension



- Extends up to four channels of audio over one fiber - up to eight channels over two fibers
  - AES3 - id (BNC) - 2
  - S/PDIF (TOSLINK) - 2
  - S/PDIF (RCA) - 2
  - Analog Stereo (TRS, 1/8") - 2 (Unbalanced) or 4 (Balanced)
- Extends broadcast quality audio signals up to 40 kilometers
- Designed as a compact stand alone unit or up to four Virtuoso-PRO audio modules can be housed in a rack mount chassis unit (chassis can house both audio and video extension modules)

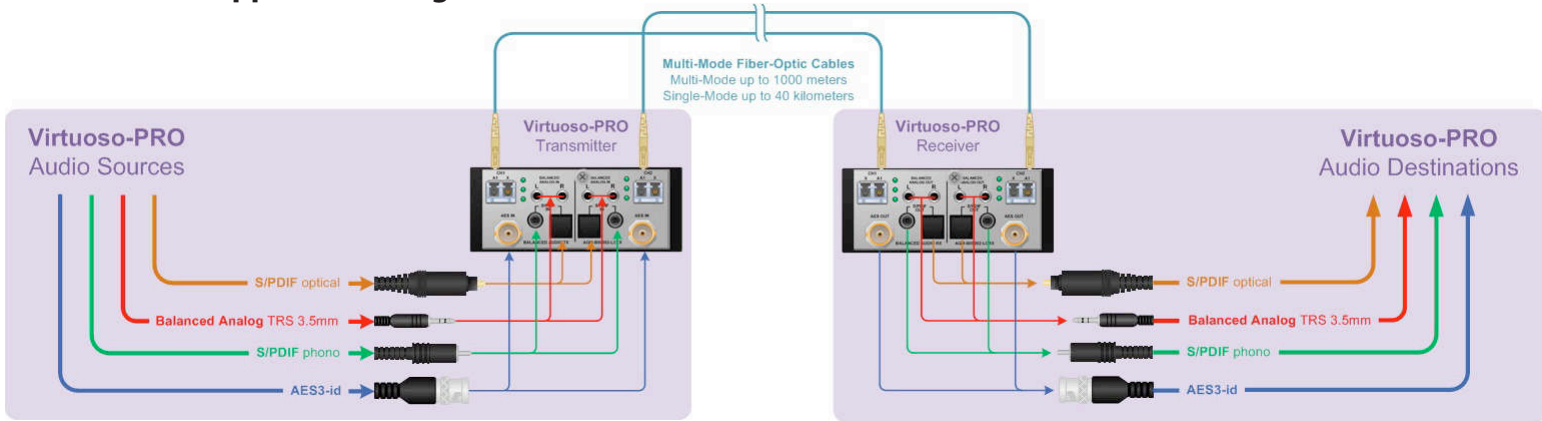
### Professional Audio Extension

**Designed to meet the audio requirements for both broadcast production and post-production**

Thinklogical's Virtuoso-PRO is designed for professional audio applications and provides the highest quality, industry leading audio performance. The Virtuoso-PRO transmits and extends up to eight audio signals over two fibers. The system supports a combination of audio signals such as, AES3, S/PDIF and analog stereo, making this a versatile and flexible extension system. Featuring unrivaled audio extension technology the system features a sampling rate of 32 - 192 kHz, ideal for broadcast applications.

The Virtuoso-PRO is available in a stand alone or rack mount chassis model. The compact stand alone system is made up of transmitter and receiver unit and is compact enough to fit discretely at the desktop. The rack mount chassis houses Virtuoso-PRO audio modules. The chassis can be comprised completely of audio modules or can be combined with Thinklogical's video extension modules (SDI or DVI). This provides an ideal solution for users who need both professional audio and video extension in one unit. In addition, the system supports either single or multi-mode fiber, and is fully compatible with Thinklogical's video and KVM extension systems as well as the VX and HDX Router line of products.

Virtuoso-PRO Application Diagram



Typical application extending professional audio signals - Virtuoso-PRO stand alone unit



Virtuoso-PRO - Transmitter and Receiver side views

## Key Features

- Extends up to four channels of audio over one fiber - up to eight channels over two fibers
  - AES3 - id (BNC) - 2
  - S/PDIF (TOSLINK) - 2
  - S/PDIF (RCA) - 2
  - Analog Stereo (TRS, 1/8") - 2 (Unbalanced) or 4 (Balanced)
- Extends audio signals over single-mode fiber up to 40 kilometers
- Extends audio signals over multi-mode fiber up to 1000 meters
- Sampling rate of 32 - 192 kHz
- Compact stand alone model (supports up to eight channels of audio)
- All models compatible with all Thinklogical VX and HDX Routers
- Max analog audio level of 6 dBu (Unbalanced) or 12 dBu (Balanced)
- Rack mount chassis houses up to four Virtuoso-PRO modules (up to 32 channels of audio)
- Rack mount chassis provides option for a combination of both audio and video extension modules
- Rack mount chassis - hot swappable modules
- Rack mount chassis features dual, current sharing, hot-swappable power supplies
- Rack mount chassis features a dry contact annunciator which provides an alarm warning in the event of a power failure or a unit
- Rack mount chassis provides front panel status monitoring and control
- All models are available with standard LC type fiber connectors

## Specifications

### Stand Alone Chassis Model:

<b>Operating Temp.</b>	0°-50°C; (32°-122°F)
<b>Humidity</b>	5-95% RH, non-condensing
<b>Dimensions</b>	Height: 1.72" (4.4 cm) Depth: 10.66" (27.1 cm) Width: 5.55" (14.1 cm) (Tolerance: ± .039"; .100cm)
<b>Weights</b>	Weight: 1 lbs (0.45 kg) per unit Shipping Weight: 9 lbs (4.08 kg) pair
<b>Power Consumption</b>	< 5 watts
<b>Supply Voltage</b>	100-240 VAC, 50-60 Hz Universal AC power supply
<b>Optical Cable</b>	Single-mode and multi-mode Four audio channels over one fiber Eight audio channels over two fibers Fiber is available, not supplied
<b>Optical Distance</b>	Up to 100 meters using 62.5/125um, type OM1; Up to 350 meters using 50/125um, type OM2 Up to 750 meters using 50/125um, type OM3; Up to 1000 meters using 50/125um, type OM4; Up to 40 kilometers using 9/125um, type OS2 (single-mode)
<b>Compliance</b>	Approvals for US, Canada, and European Union
<b>Warranty</b>	12 months from date of shipment - extended warranties available

## Specifications

### Quad Rack Mount Chassis Model:

<b>Operating Temp.</b>	0°-50°C; (32°-122°F)
<b>Humidity</b>	5-95% RH, non-condensing
<b>Dimensions</b>	Rack Size: EIA 19" Height: 1U-1.79" (45 mm) Depth: 14.02" (356 mm) Width: 17.49" (444 mm) (Tolerance: ± .039"; .100cm)
<b>Weights</b>	Weight: 15 lbs (6.8 kg) per unit Shipping Weight: 30 lbs (13.6 kg) pair
<b>Power Consumption</b>	50 watts per unit (with 4 modules installed)
<b>Optical Cable</b>	Single-mode and multi-mode over eight to twelve fibers Fiber is available, not supplied
<b>Optical Distance</b>	Up to 100 meters using 62.5/125um, type OM1; Up to 350 meters using 50/125um, type OM2; Up to 750 meters using 50/125um, type OM3; Up to 1000 meters using 50/125um, type OM4; Up to 40 kilometers using 9/125um, type OS2 (single-mode)
<b>Compliance</b>	Approvals for US, Canada, and European Union
<b>Warranty</b>	12 months from date of shipment - extended warranties available

## Ordering Information

ADS-000001	VIRTUOSO PRO STANDALONE CHASSIS
VQS-004300	Q-4300 QUAD MODULE RACK MOUNT CHASSIS
AQM-000002-LCRX	VIRTUOSO PRO AUDIO EXTENDER MODULE, UNBALANCED, RX
AQM-000002-LCTX	VIRTUOSO PRO AUDIO EXTENDER MODULE, UNBALANCED, TX
AQM-B00002-LCRX	VIRTUOSO PRO AUDIO EXTENDER MODULE, BALANCED, RX
AQM-B00002-LCTX	VIRTUOSO PRO AUDIO EXTENDER MODULE, BALANCED, TX

**thinklogical**<sup>®</sup>  
Extend • Distribute • Innovate

100 Washington Street  
Milford, CT 06460 USA

© 2012 Thinklogical. All rights reserved.  
Thinklogical, claims or other product information contained in this document are subject to change without notice. This document may not be reproduced, in whole or in part, without the express written consent of Thinklogical.

Contact a Thinklogical Sales Representative at  
[sales@thinklogical.com](mailto:sales@thinklogical.com) or (203) 647-8700