

# AlterImage RGB to DVI Converters

## RGB to DVI, Fiber Output Option



### The Logical Solution

The Thinklogical™ AlterImage Converter (AIC-1) and the AlterImage Converter/Extender (AIE-1) are designed to take advantage of advanced displays with the DVI-D interface using an existing RGB source. Industry standard RGB video formats up to 108MHz are flawlessly converted to DVI and transported over multi-mode fiber.

### The Features

- Converts VGA to DVI
- Built in 2 port DVI Video Distribution Amplifier (DVI Splitter)
- Loop through VGA port
- DDC EEPROM with VESA standard formats
- Extends video up to 1000 meters (3280 feet) using standard multi-mode fiber (Extender Model Only)
- Front panel video timing and phase adjustment capability
- Fully compatible with all Thinklogical™ DCS Matrix Switches and VIS or EVS Series Fiber Optic Receivers

### The System

Each system consists of a single unit capable of converting VGA (analog video signals) into compatible DVI (digital video signals). Each unit has the ability to drive two independent DVI outputs. The unit has a VGA loop-thru to connect a VGA monitor.

The unit also can be ordered with a **fiber output option** to transport the converted signals up to 1000 meters (3280 feet).

### The Models

The **AIC-1 (AlterImage Converter)** converts an RGB source into two DVI-D signals.

The **AIE-1 (AlterImage Extender)** converts an RGB source into two DVI-D signals, plus extends the signal over multi-mode fiber to any Thinklogical™ Receiver.

The **AIE-1 (AlterImage Extender)** model is available with SC- or ST-type fiber connectors.

## Copper Connectors

### AlterImage Converter Version

Video – RGB	HD15 (2)
Video – DVI	DVI-D (2)
Software Updates	USB B (1)
Power	2.5mm threaded connector

### AlterImage Extender Version

Video – RGB	HD15 (2)
Video – DVI	DVI-D (2)
Software Updates	USB B (1)
Power	2.5mm threaded connector
Fiber Connectors	ST or SC (1)

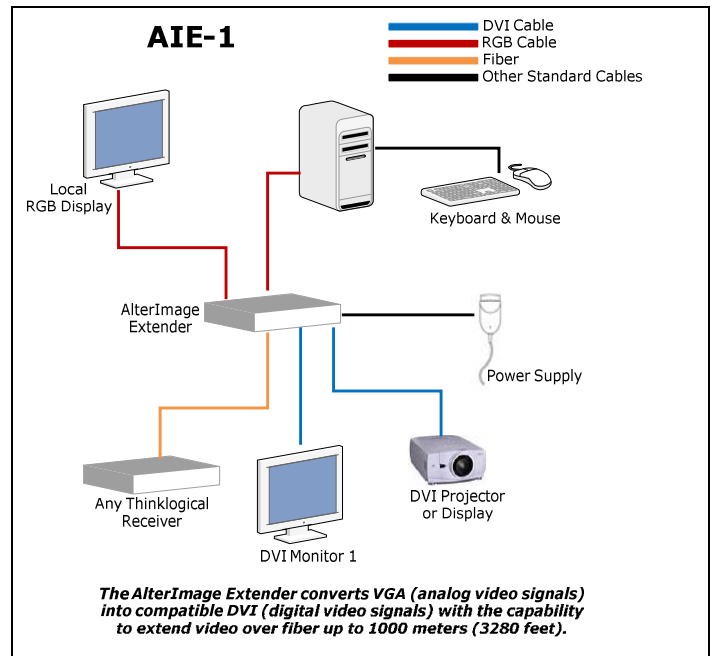
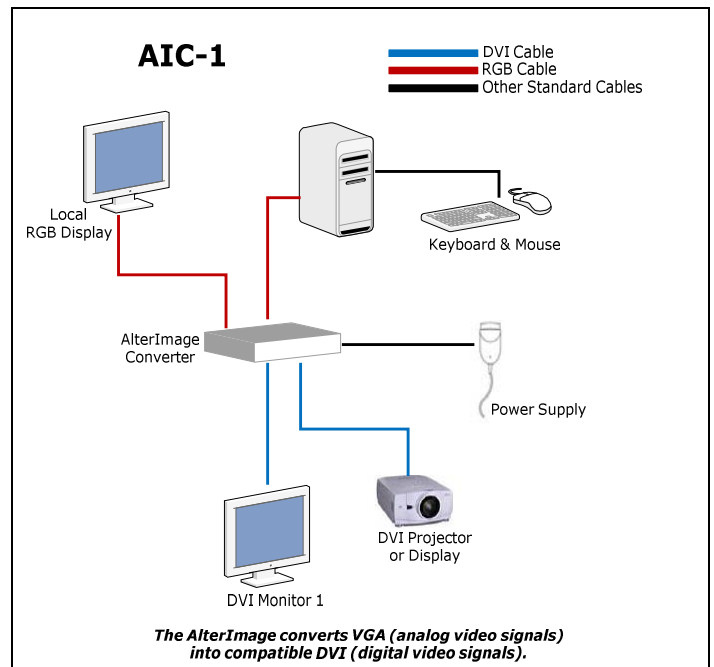
### Cables Included with Each Unit

- DVI-D Male to Male Cable, 2 meters (2)
- HD15 Male to Male Cable, 2 meters (1)

## Specifications

Video Resolution	RGB 1280 x 1024 @ 60Hz
Supply Voltage	+5.0 V DC
DC Adapter	AC/DC adapter universal input 90-264 VAC (supplied)
Operating Temp.	0°-50°C; (32°-122°F)
Humidity	5-95% RH, non-condensing
Dimensions	Height: 1U-1.75" (4.45cm)
And Weights	Depth: 7.9" (20.1cm)
	Width: 7.8" (19.8cm)
	Weight: 2lbs (0.91kg)
	Shipping Weight: 9lbs (4.09kg)
Optical Cable	Single fiber, multi-mode 50 or 62.5 micron (available, not supplied; Fiber Extender Model Only)
Optical Distance	Up to 1000 meters (3280 feet) (Fiber Extender Model Only)
Power Consumption	8 watts
Warranty	12 months from date of shipment.
Extended warranties	available

## Typical Application for AlterImage



## Ordering Information

Please contact a Thinklogical sales representative.

### Thinklogical™ Direct Sales:

100 Washington Street, Milford, CT 06460  
 Phone: 1-800-291-3211 Fax: 1-203-783-9949  
 (M-F 8:30am-5:30pm, EST)  
 Email: sales@thinklogical.com