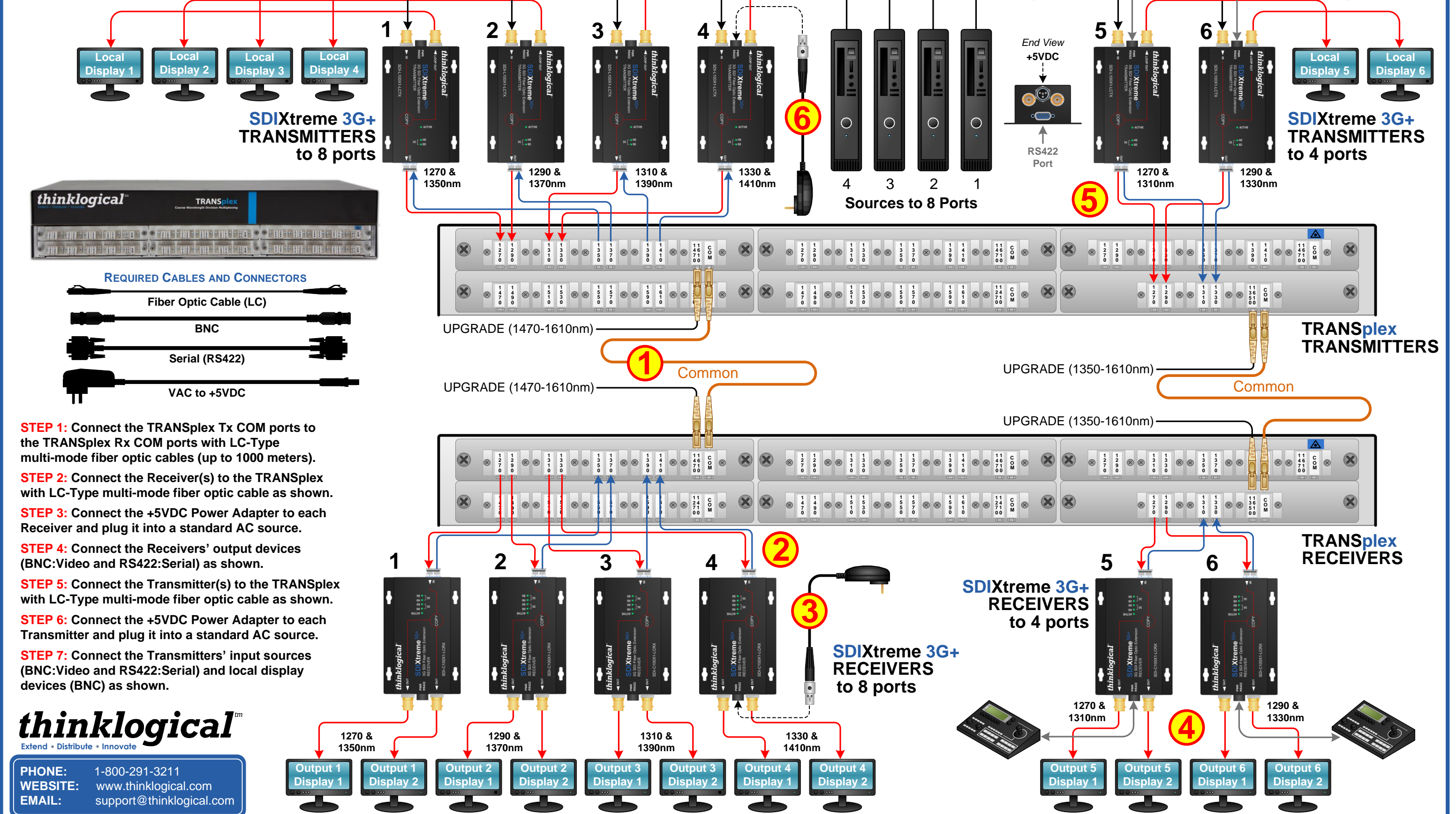


# TRANSplex

## QUICK START GUIDE

For 8 and 4 Port Modules



**STEP 1:** Connect the TRANSplex Tx COM ports to the TRANSplex Rx COM ports with LC-Type multi-mode fiber optic cables (up to 1000 meters).

**STEP 2:** Connect the Receiver(s) to the TRANSplex with LC-Type multi-mode fiber optic cable as shown.

**STEP 3:** Connect the +5VDC Power Adapter to each Receiver and plug it into a standard AC source.

**STEP 4:** Connect the Receivers' output devices (BNC:Video and RS422:Serial) as shown.

**STEP 5:** Connect the Transmitter(s) to the TRANSplex with LC-Type multi-mode fiber optic cable as shown.

**STEP 6:** Connect the +5VDC Power Adapter to each Transmitter and plug it into a standard AC source.

**STEP 7:** Connect the Transmitters' input sources (BNC:Video and RS422:Serial) and local display devices (BNC) as shown.

**thinklogical™**  
Extend • Distribute • Innovate

PHONE: 1-800-291-3211  
WEBSITE: www.thinklogical.com  
EMAIL: support@thinklogical.com