

StudioPRO Extender

Single-Link DVI Extension with USB 2.0
Dual-Link DVI Extension with USB 2.0

Powered by
MRTS Technology

- MRTS technology 6.25Gbps allows for full frame rate transmission of uncompressed DVI
- Extends single-link and dual-link DVI video signals up to 10 km
- Supports USB 2.0 high speed devices
- Full DDC2B compliant
- Flawless image quality with no frame dropping



Studio PRO Extenders, Transmitter and Receiver, Single-Link Model Shown

The Logical Solution - Extending DVI and USB 2.0 up to 10km

The StudioPRO Extenders are designed to support one DVI display (Single-Link or Dual-Link models) as well as up to four USB 2.0 peripherals. Using multi-mode or single mode fiber, the system allows users to locate DVI monitors and peripherals via fiber from just a few meters up to 10 kilometers away from the controlling computer securely without the loss of resolution.

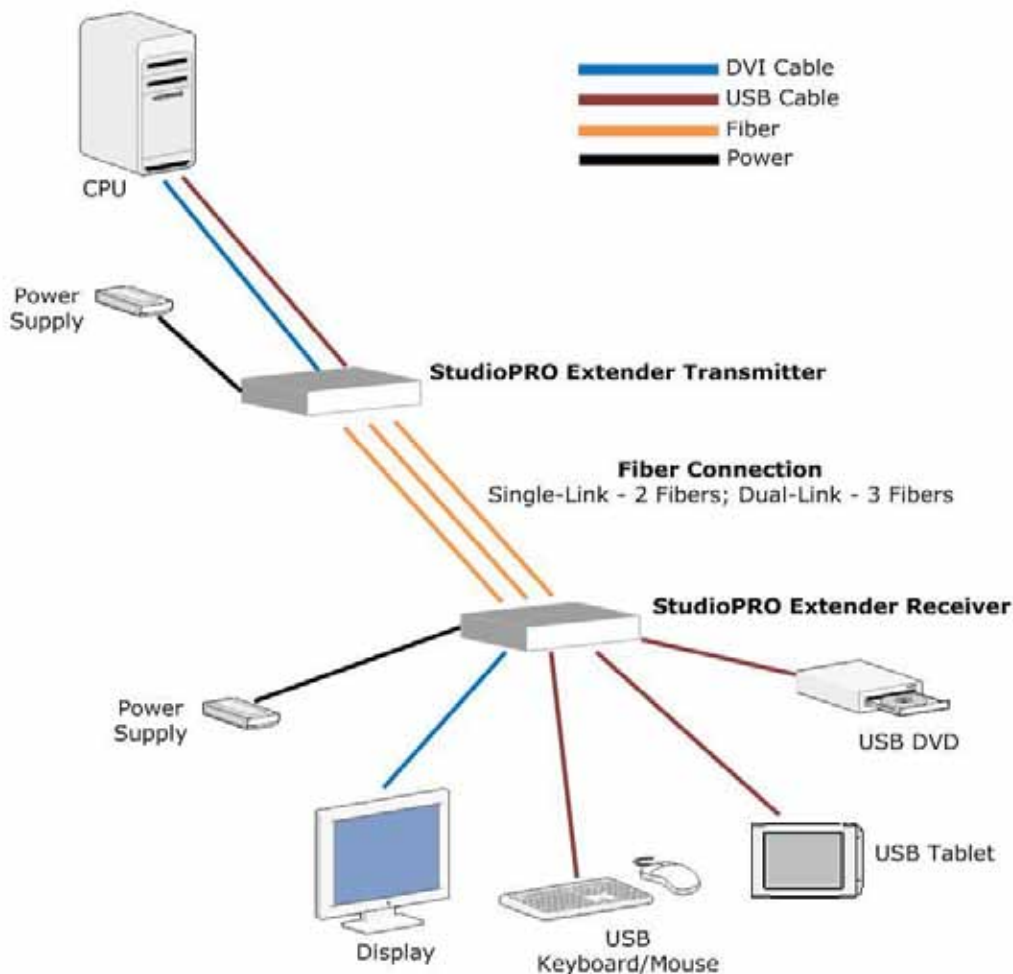
Powered by Thinklogical's cutting edge, patent-pending MRTS (Multi Rate Transmission System) technology, this extension system transports every frame of a DVI video stream seamlessly, with no compression, or dropped frames. In addition, all high speed peripherals function with no latency making it ideally suited for operating rooms, post-production studios, command centers, educational facilities, control rooms, conference centers, and board rooms.

thinklogical[™]
www.thinklogical.com

The System

The StudioPRO's fiber optic extenders effectively support both single-link and dual-link DVI and extend (up to 10 kilometers). In addition, high resolution DVI video signals are supported up to 1920 x 1200, as well as video resolutions up to 3840 x 2400 in a Dual-Link. All desktop USB 2.0 peripherals are supported.

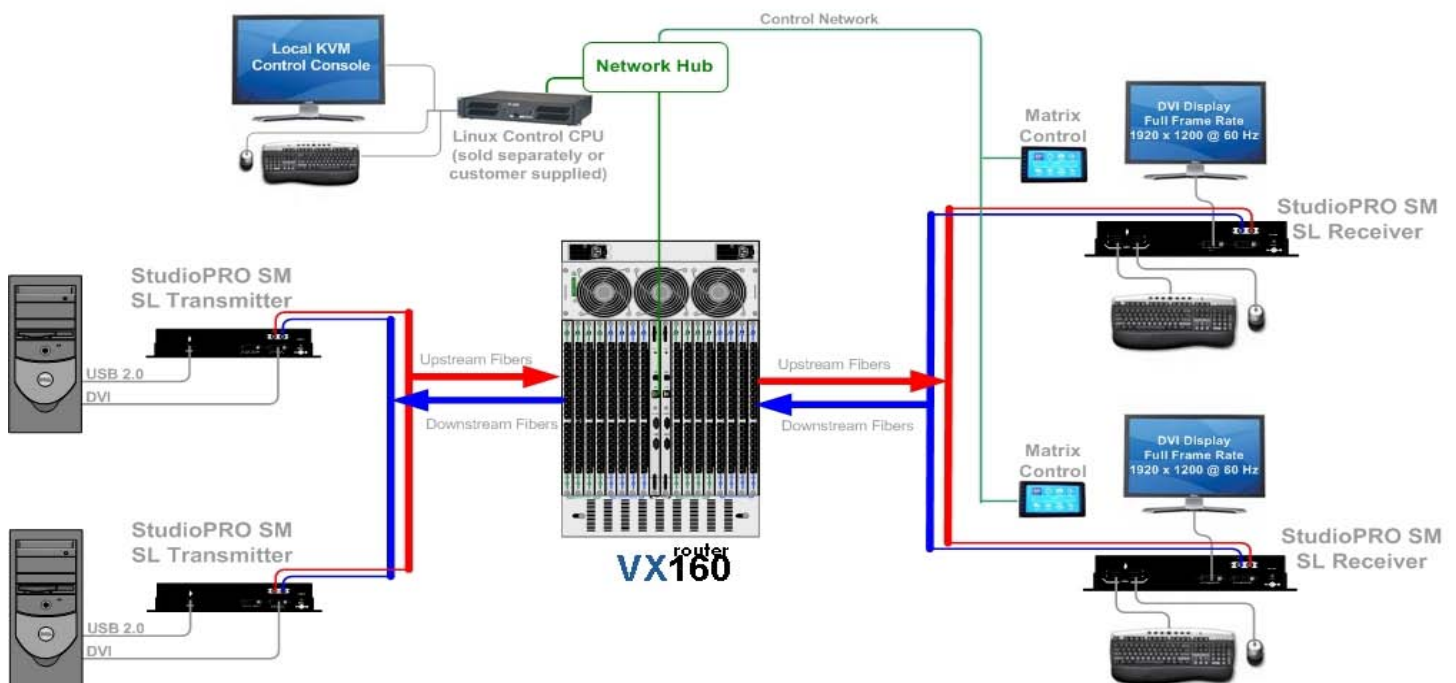
Leveraging standard SFP+ transceivers, the system allows for the usage of either multi-mode or single-mode fiber optic cable. The Studio PRO Extender requires two or three fibers, depending upon your configuration. In a single-link configuration (two fibers), one fiber is dedicated to the Video and USB while the second fiber is the back channel for the USB and DDC. In a dual-link configuration (3 fibers), it has all of the features of the two fiber system, plus an additional fiber for video. Multiple options are available to communicate the EDID (Extended Display Identification Data) to the CPU via the Data Display Channel.



Typical Application extending DVI video and USB devices using StudioPRO Extenders
Single-Link and Dual-Link DVI models are available

Key Features

- Supports all single-link DVI video resolutions
- Supports all dual-link DVI video resolutions
- MRTS technology 6.25Gbps allows for full frame rate transmission of uncompressed DVI
- Requires two or three fiber optic cables
- Flawless image quality with no frame dropping
- Extends signals up to:
 - 650 meters using SX+ multi-mode fiber
 - 10 kilometers using single mode fiber
 - Over 10 kilometers, please contact the factory
- USB 2.0 compliant - High Speed 480 Mbps., 4-port hub
- Signal transmission via fiber optic cable; no RF interference
- Simple plug and play
- Available with SC-, ST-, or LC or type fiber connectors
- Fully compatible with Thinklogical's DCS, DCS StudioPRO, and VX160 Router line of switching products



Typical Application extending DVI video and USB 2.0 using StudioPRO Extenders and the VX 160 Router

Specifications

Video Resolution	All Single-Link DVI Resolutions All Dual-Link DVI Resolutions	Supply Voltage	+5.0 VDC
Operating Temp.	0°-50°C; (32°-122°F)	Power Consumption	20-25 watts per unit
Dimensions	Rack Size: EIA 19" Height: 1.640" (4.20 cm) Depth: 4.423" (11.20 cm) Width: 7.969" (20.2 cm) (Tolerance: ± .039"; .100cm)	Humidity	5-95% RH, non-condensing
DC Adapter	AC/DC adapter universal input 90-264 VAC (supplied)	Weights	Weight: 2 lbs per unit Shipping Weight: 9 lbs pair
Optical Cable	Multi-mode and Single-mode versions: Two fibers (Single-Link), Three fibers (Dual-Link) (available, not supplied)		
Optical Distance	Up to 350 meters using 50/125um, type OM2 Up to 650 meters using 50/125um, type OM3 enhanced Up to 10 kilometers using 9/125um Over 10 kilometers, please contact the factory		
Compliance	Approvals for US, Canada, and European Union		
Warranty	12 months from date of shipment - Extended warranties available		

Copper Connectors

Transmitter

Video	DVI-D (2)
USB	USB-B (1)
Power	2.5mm power connector
Fiber Connectors	ST, SC, or LC (2 for Single-Link; 3 for Dual-Link)

Cables Included: DVI-D male to male, 2 meter
USB A to USB B cable, 6 feet

Receiver

Video	DVI-D (2)
USB	USB-A (4)
Power	2.5mm power connector
Fiber Connectors	ST, SC, or LC (2 for Single-Link; 3 for Dual-Link)



StudioPRO Extender Transmitter and Receiver Back Views

StudioPRO Extender Ordering Information

STUDIOPRO EXTENDER: SINGLE MODE

Part Number and Description

VEL-SP0SDL-SCRX	StudioPRO Extender Receiver, Dual Link DVI, USB 2.0, Single Mode, SC/APC
VEL-SP0SDL-SCTX	StudioPRO Extender Transmitter, Dual Link DVI, USB 2.0, Single Mode, SC/APC

STUDIOPRO EXTENDER DUAL-LINK OPTICS OPTION for SINGLE MODE

VOP-S16	StudioPRO Extender Optics Option for Transmitter, Single Mode, Single Fiber, 10KM, SC/APC
VOP-S17	StudioPRO Extender Optics Option for Receiver, Single Mode, Single Fiber, 10KM, SC/APC
VOP-S05	StudioPRO Extender Optics Option for Transmitter or Receiver, Single Mode, Dual Fiber, 10KM, SC/APC

Part Number and Description

VEL-SP0SSL-SCRX	StudioPRO Extender Receiver, Single Link DVI, USB 2.0, Single Mode, SC/APC
VEL-SP0SSL-SCTX	StudioPRO Extender Transmitter, Single Link DVI, USB 2.0, Single Mode, SC/APC

STUDIOPRO EXTENDER SINGLE-LINK OPTICS OPTION for SINGLE MODE

VOP-S08	StudioPRO Extender Optics Option for Transmitter or Receiver, Single Mode, Three Fibers, 10KM, SC/APC
---------	---

STUDIOPRO EXTENDER: MULTI-MODE

Part Number and Description

VEL-SP0MDL-LCRX	StudioPRO Extender Receiver, Dual Link DVI, USB 2.0, Multi-Mode, LC
VEL-SP0MDL-LCTX	StudioPRO Extender Transmitter, Dual Link DVI, USB 2.0, Multi-Mode, LC
VEL-SP0MDL-SCRX	StudioPRO Extender Receiver, Dual Link DVI, USB 2.0, Multi-Mode, SC
VEL-SP0MDL-SCTX	StudioPRO Extender Transmitter, Dual Link DVI, USB 2.0, Multi-Mode, SC
VEL-SP0MDL-STRX	StudioPRO Extender Receiver, Dual Link DVI, USB 2.0, Multi-Mode, ST
VEL-SP0MDL-STTX	StudioPRO Extender Transmitter, Dual Link DVI, USB 2.0, Multi-Mode, ST

STUDIOPRO EXTENDER DUAL-LINK OPTICS OPTION for MULTI-MODE

VOP-M05	StudioPRO Extender Optics Option for Transmitter or Receiver, Multi-Mode, 3 Fibers, 350M or 650M, LC
VOP-M02	StudioPRO Extender Optics Option for Transmitter or Receiver, Multi-Mode, 3 Fibers, 350M or 650M, SC or ST

Part Number and Description

VEL-SP0MSL-LCRX	StudioPRO Extender Receiver, Single Link DVI, USB 2.0, Multi-Mode, LC
VEL-SP0MSL-LCTX	StudioPRO Extender Transmitter, Single Link DVI, USB 2.0, Multi-Mode, LC
VEL-SP0MSL-SCRX	StudioPRO Extender Receiver, Single Link DVI, USB 2.0, Multi-Mode, SC
VEL-SP0MSL-SCTX	StudioPRO Extender Transmitter, Single Link DVI, USB 2.0, Multi-Mode, SC
VEL-SP0MSL-STRX	StudioPRO Extender Receiver, Single Link DVI, USB 2.0, Multi-Mode, ST
VEL-SP0MSL-STTX	StudioPRO Extender Transmitter, Single Link DVI, USB 2.0, Multi-Mode, ST

STUDIOPRO EXTENDER SINGLE-LINK OPTICS OPTION for MULTI-MODE

VOP-M04	Optics Option for Transmitter or Receiver, Multi-Mode, Dual Fiber, 350M or 650M, LC
VOP-M01	Optics Option for Transmitter or Receiver, Multi-Mode, Dual Fiber, 350M or 650M, SC or ST

thinklogical[™]

100 Washington Street
Milford, CT 06460 USA

Contact a Thinklogical Sales Representative at
sales@thinklogical.com or (203) 647-8700