

Velocitydvi

Digital Video Extension System - 3
Digital Video Extension System - 3A/V +

Powered by
MRTS Technology

- Supports all Single-Link DVI video resolutions
- MRTS technology 6.25Gbps allows for full frame rate transmission of uncompressed DVI
- Extends all Single-Link DVI video signals up to 10 km
- Signal transmission via fiber optic cable; no RF interference
- Full DDC2B/EDID support using two fibers
- Flawless image quality with no frame dropping
- Neutrik® opticalCON DUO option for rugged applications



Velocitydvi System - 3A/V +, Transmitter and Receiver

The Logical Solution - Digital Video Extension

The Velocitydvi System - 3 is designed to support **one Single-Link DVI display**; the Velocitydvi System - 3A/V + is designed to support **one Single-Link DVI display, full duplex stereo audio, and serial (RS-232)**. Using multi-mode or single-mode fiber, the system allows users to locate a DVI monitor and peripherals via fiber from just a few meters up to 10 kilometers away from the controlling computer securely without the loss of resolution.

Powered by Thinklogical's cutting edge, patent-pending MRTS (Multi Rate Transmission System) technology, this extension system transports every frame of a DVI video stream seamlessly, with no compression, or dropped frames. In addition, all high speed peripherals function with no latency making it ideally suited for a wide range of applications in the broadcast and post-production field, as well as command and control centers, universities, large scale digital signage, and any other commercial KVM applications.

thinklogical[™]
www.thinklogical.com

The System

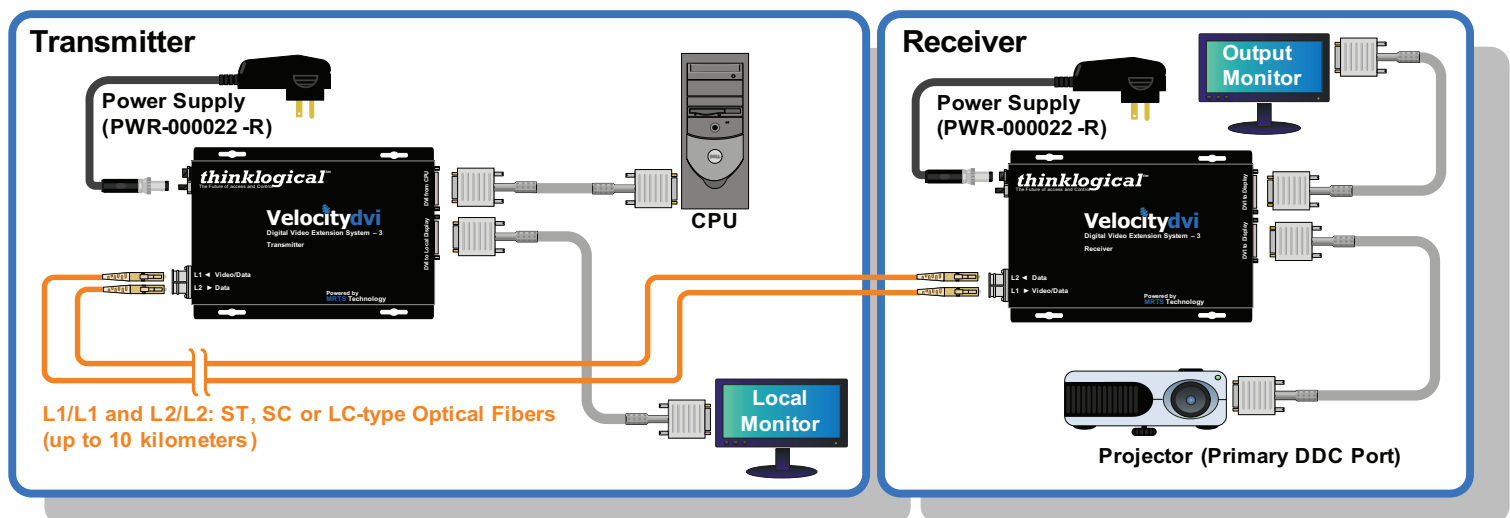
The Velocitydvi System - 3 and 3A/V + have a simple transmitter/receiver design which allows for ease of installation and straight forward deployment. Depending on the user's infrastructure, the transmitter and the receiver can be connected by multi-mode or single-mode fiber optic cable. The transmitter unit connects to the CPU with the supplied DVI-D cable. In addition, a local port is available on the transmitter. The receiver unit provides connections to the user interface devices. A +5V DC power supply is required on both units.

The **Velocitydvi System - 3A/V +** product line takes these features a step further, merging audio and serial technologies for A/V applications. This product gives users an audio and serial port, which supports bi-directional stereo analog and RS-232 (two fibers required).

The Velocitydvi System - 3 and 3A/V + are also offered in a **Neutrik® connector option**. This option is a more rugged design for fiber with the capability of connecting to an opticalCON DUO connector or the convenience of connecting to a standard LC-type fiber connector.

Leveraging standard SFP+ transceivers, the system allows for the usage of either multi-mode or single-mode fiber optic cable. The Velocitydvi System - 3 and 3A/V + require two fibers for two way communication. One fiber is dedicated to video, audio line out, serial, and DDC to display, while the second fiber is the microphone, serial, and DDC to the video source. EDID (Extended Display Identification Data) information is provided to the CPU by either a generic table stored inside the transmitter, or from a display connected to the transmitters local port. Also, the added capability of active DDC allows the remote monitor to send its display capabilities to the CPU. Multi-mode models are available with SC, ST, or LC type fiber connectors.

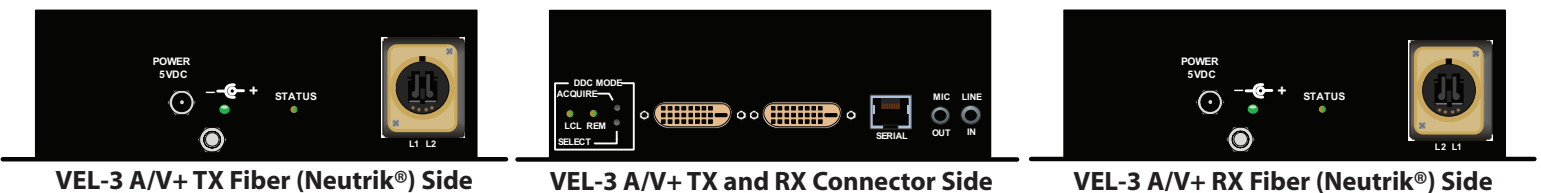
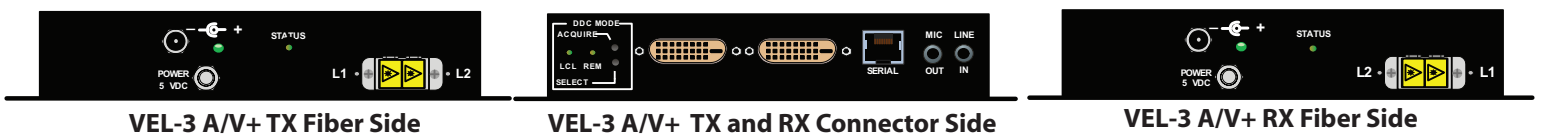
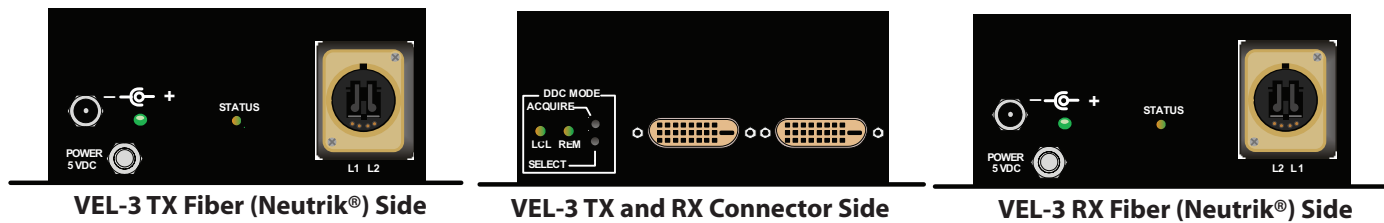
The Velocitydvi System - 3 and 3A/V + are also offered in a single-mode option. Standard fiber count is two, however a model with one fiber is available. For the single-mode model, we offer SC/APC (Angled Physical Contact), SC/UPC (Ultra Physical Contact), or LC/UPC for optimum performance.



Typical application extending DVI video using Velocitydvi System - 3
Velocitydvi System - 3A/V + model provides A/V capability

Key Features

- Supports all Single-Link DVI video resolutions
- MRTS technology 6.25Gbps allows for full frame rate transmission of uncompressed DVI
- Signal transmission via fiber optic cable; no RF interference
- Requires one or two fiber optic cables depending on application
- Flawless image quality with no frame dropping
- Extends signals up to:
 - 750 meters using SX+ multi-mode fiber
 - 1000 meters using eSX+ multi-mode fiber
 - 10 kilometers using single-mode fiber
- Local video port on the transmitter
- Additional video output on the receiver
- Audio and serial port (on A/V + models only)
- DDC2B/EDID compliant
- Simple plug and play
- Available with SC-, ST-, or LC-type fiber connectors
- Available with a Neutrik® fiber connector for rugged applications



Specifications

Video Resolution	All Single-Link DVI resolutions			
Operating Temp.	0°-50°C; (32°-122°F)			
Humidity	5-95% RH, non-condensing			
Dimensions	System - 3	- 3 A/V +	- 3 w/Neutrik	- 3 A/V + w/Neutrik
Height:	1.1" (27.94 mm)	1.1" (27.94 mm)	2" (50.80 mm)	2" (50.80 mm)
Depth:	7" (177.80 mm)	7" (177.80 mm)	7" (177.80 mm)	7" (177.80 mm)
Width:	5.375" (136.65 mm)	7.5" (190.50 mm)	5.375" (136.65 mm)	7.5" (190.50 mm)
	(Tolerance: ± .039"; 1 mm)			
Weights	System - 3	- 3 A/V +	- 3 w/Neutrik	- 3 A/V + w/Neutrik
Weight (per unit):	1 lb (0.45 kg)	1 lb (0.45 kg)	1.5 lbs (0.68 kg)	1.5 lbs (0.68 kg)
Shipping Weight:	9 lbs (4.08 kg) pair	9 lbs (4.08 kg) pair	9.5 lbs (4.3 kg) pair	9.5 lbs (4.3 kg) pair
Power Consumption	10 watts per unit			
Supply Voltage	+5.0 VDC			
DC Adapter	AC/DC adapter universal input 90-264 VAC			
Optical Cable	Single-Mode and Multi-Mode over Two Fibers (for fewer fiber counts contact Thinklogical) Fiber is Available, Not Supplied			
Optical Distance	Up to 50 meters using 62.5/125um, type OM1; Up to 350 meters using 50/125um, type OM2 Up to 750 meters using 50/125um, type OM3; Up to 1000 meters using 50/125um, type OM3 enhanced; Up to 10 kilometers using 9/125um, type OS2 (Single-Mode) (Please contact Thinklogical for distances over 10 kilometers)			
Compliance	Approvals for US, Canada, and European Union			
Warranty	12 months from date of shipment - Extended warranties available			

Connectors

Transmitter

Video	DVI-D (2)
Power	2.5mm power connector
Fiber Connectors	SC/APC, SC/UPC or LC/UPC for Single-Mode LC, SC or ST for Multi-Mode OpticalCON DUO Connector for Neutrik® option

Receiver

Video	DVI-D (2)
Power	2.5mm power connector
Fiber Connectors	SC/APC, SC/UPC or LC/UPC for Single-Mode LC, SC or ST for Multi-Mode OpticalCON DUO Connector for Neutrik® option

A/V + Models also include:

Audio MIC	3.5mm Jack	Audio MIC	3.5mm Jack
Audio LINE	3.5mm Jack	Audio LINE	3.5mm Jack
Serial Port	RJ45	Serial Port	RJ45

Cables Included:	DVI-D male to male, 2 meters
	A/V + Models also include:
	Stereo audio cable, 3.5mm to 3.5mm, 2 meters (2)
	Serial cable, RJ45 to RJ45 , 2.1 meters (2)
	DB9F to RJ45 adapter
	DB9M to RJ45 adapter

Velocitydvi System - 3 Ordering Information

VELOCITY 3: SINGLE MODE

Part Number and Description

VEL-000S03-SCRX	Velocity 3 DVI Video Extender Receiver, Single Link DVI, AUX DVI Output, DDC, Single Mode, SC/APC
VEL-000S03-SCTX	Velocity 3 DVI Video Extender Transmitter, Single Link DVI, Local DVI Port, DDC, Single Mode, SC/APC
VEL-000S03-NKRX	Velocity 3 DVI Video Extender Receiver, Single Link DVI, AUX DVI Output, DDC, Single Mode, Neutrik® LC/APC
VEL-000S03-NKTX	Velocity 3 DVI Video Extender Transmitter, Single Link DVI, Local DVI Port, DDC, Single Mode, Neutrik® LC/APC

VELOCITY 3 OPTICS OPTION for SINGLE MODE

VOP-S05	Velocity 3 Optics Option for Transmitter or Receiver, Single Mode, Dual Fiber, 10KM, SC/APC
VOP-S11	Velocity 3 Optics Option for Transmitter or Receiver, Single Mode, Dual Fiber, 10KM, Neutrik® LC/APC

VELOCITY 3: MULTI-MODE

Part Number and Description

VEL-000M03-LCRX	Velocity 3 DVI Video Extender Receiver, Single Link DVI, AUX DVI Output, DDC, Multi-Mode, LC
VEL-000M03-LCTX	Velocity 3 DVI Video Extender Transmitter, Single Link DVI, Local DVI Port, DDC, Multi-Mode, LC
VEL-000M03-SCRX	Velocity 3 DVI Video Extender Receiver, Single Link DVI, AUX DVI Output, DDC, Multi-Mode, SC
VEL-000M03-SCTX	Velocity 3 DVI Video Extender Transmitter, Single Link DVI, Local DVI Port, DDC, Multi-Mode, SC
VEL-000M03-STRX	Velocity 3 DVI Video Extender Receiver, Single Link DVI, AUX DVI Output, DDC, Multi-Mode, ST
VEL-000M03-STTX	Velocity 3 DVI Video Extender Transmitter, Single Link DVI, Local DVI Port, DDC, Multi-Mode, ST
VEL-000M03-NKRX	Velocity 3 DVI Video Extender Receiver, Single Link DVI, AUX DVI Output, DDC, Multi-Mode, Neutrik® LC
VEL-000M03-NKTX	Velocity 3 DVI Video Extender Transmitter, Single Link DVI, Local DVI Port, DDC, Multi-Mode, Neutrik® LC

VELOCITY 3 OPTICS OPTIONS for MULTI-MODE

VOP-M04	Velocity 3 Optics Option for Transmitter or Receiver, Multi-Mode, Dual Fiber, 50M or 350M or 1000M, LC or Neutrik® LC
VOP-M01	Velocity 3 Optics Option for Transmitter or Receiver, Multi-Mode, Dual Fiber, 50M or 350M or 1000M, SC or ST

Velocitydvi System - 3 A/V + Ordering Information

VELOCITY 3AV+: SINGLE MODE

Part Number and Description

VEL-AV0S03-SCRX	Velocity 3 DVI Video Extender Receiver, Single Link DVI, AUX DVI Output, DDC, Serial, Audio, Single Mode, SC/APC
VEL-AV0S03-SCTX	Velocity 3 DVI Video Extender Transmitter, Single Link DVI, Local DVI Port, DDC, Serial, Audio, Single Mode, SC/APC
VEL-AV0S03-NKRX	Velocity 3 DVI Video Extender Receiver, Single Link DVI, AUX DVI Output, DDC, Serial, Audio, Single Mode, Neutrik® LC/APC
VEL-AV0S03-NKTX	Velocity 3 DVI Video Extender Transmitter, Single Link DVI, Local DVI Port, DDC, Serial, Audio, Single Mode, Neutrik® LC/APC

VELOCITY 3AV+ OPTICS OPTION for SINGLE MODE

VOP-S05	Velocity 3 AV+ Optics Option for Transmitter or Receiver, Single Mode, Dual Fiber, 10KM, SC/APC
VOP-S11	Velocity 3 AV+ Optics Option for Transmitter or Receiver, Single Mode, Dual Fiber, 10KM, Neutrik® LC/APC

VELOCITY 3AV+: MULTI-MODE

Part Number and Description

VEL-AV0M03-LCRX	Velocity 3 DVI Video Extender Receiver, Single Link DVI, AUX DVI Output, DDC, Serial, Audio, Multi-Mode, LC
VEL-AV0M03-LCTX	Velocity 3 DVI Video Extender Transmitter, Single Link DVI, Local DVI Port, DDC, Serial, Audio, Multi-Mode, LC
VEL-AV0M03-SCRX	Velocity 3 DVI Video Extender Receiver, Single Link DVI, AUX DVI Output, DDC, Serial, Audio, Multi-Mode, SC
VEL-AV0M03-SCTX	Velocity 3 DVI Video Extender Transmitter, Single Link DVI, Local DVI Port, DDC, Serial, Audio, Multi-Mode, SC
VEL-AV0M03-STRX	Velocity 3 DVI Video Extender Receiver, Single Link DVI, AUX DVI Output, DDC, Serial, Audio, Multi-Mode, ST
VEL-AV0M03-STTX	Velocity 3 DVI Video Extender Transmitter, Single Link DVI, Local DVI Port, DDC, Serial, Audio, Multi-Mode, ST
VEL-AV0M03-NKRX	Velocity 3 DVI Video Extender Receiver, Single Link DVI, AUX DVI Output, DDC, Serial, Audio, Multi-Mode, Neutrik® LC
VEL-AV0M03-NKTX	Velocity 3 DVI Video Extender Transmitter, Single Link DVI, Local DVI Port, DDC, Serial, Audio, Multi-Mode, Neutrik® LC

VELOCITY 3AV+ OPTICS OPTIONS for MULTI-MODE

VOP-M04	Velocity 3 AV+ Optics Option for Transmitter or Receiver, Multi-Mode, Dual Fiber, 50M or 350M or 1000M, LC or Neutrik® LC
VOP-M01	Velocity 3 AV+ Optics Option for Transmitter or Receiver, Multi-Mode, Dual Fiber, 50M or 350M or 1000M, SC or ST

thinklogical™

100 Washington Street
Milford, CT 06460 USA

Contact a Thinklogical Sales Representative at
sales@thinklogical.com or (203) 647-8700