

Velocitykvm-34

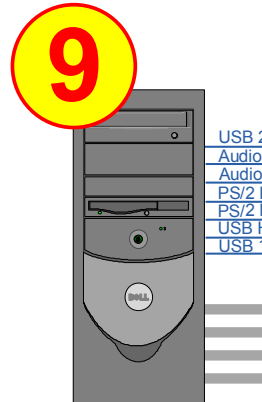
Multi-Mode Fiber Extension – Four DVI Displays

Each Thinklogical™ Velocitykvm-34 Multi-Mode Fiber Optic System consists of a transmitter unit and a receiver unit connected by five multi-mode fiber optic cables. The transmitter unit connects to the computer with standard cables and the receiver unit provides connections to the user interface devices. The Velocitykvm-34 supports PS/2, full duplex stereo audio, serial (RS-232), USB 1.0 (HID) device ports and USB 1.1. USB 2.0 (high speed up to 480Mbps) is optional.

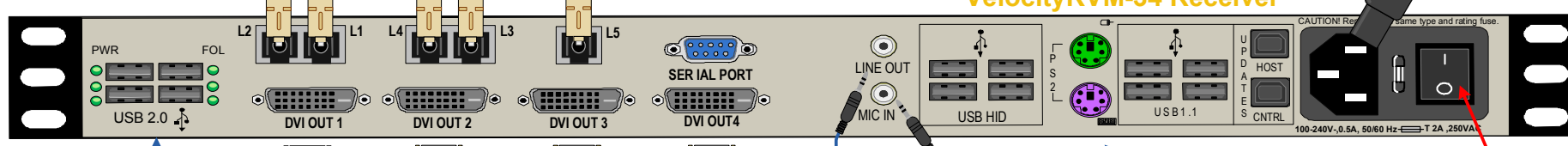
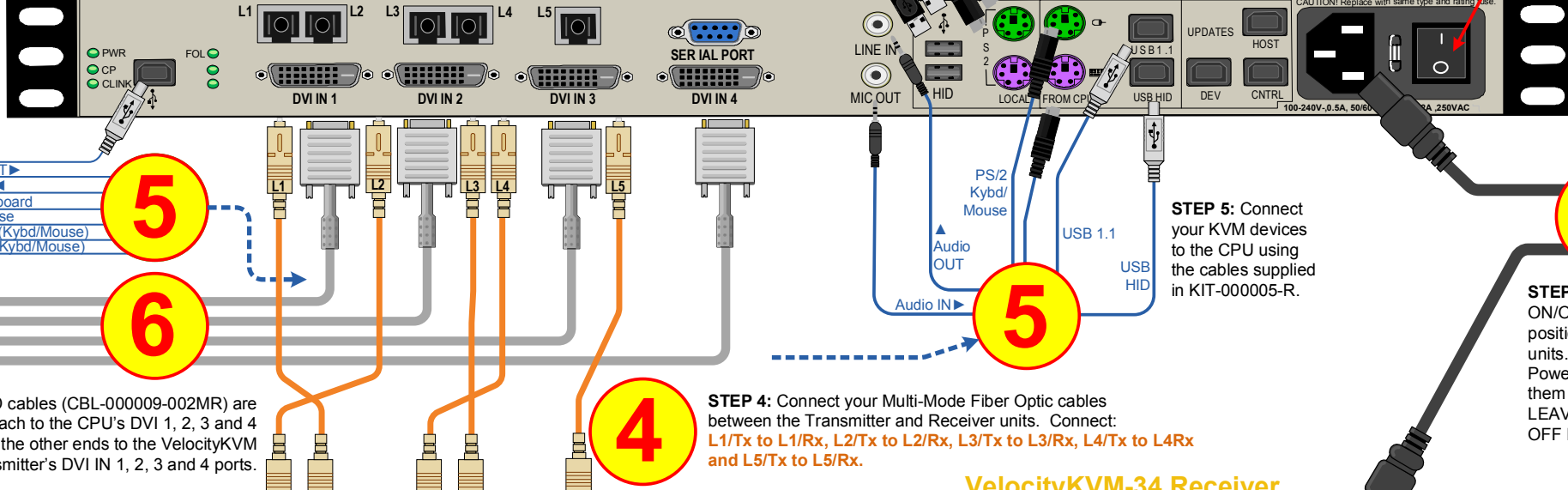
QUICK START GUIDE

Multi-Mode Fiber-Optic Cable Guide:
 L1: Data Tx to Rx and Video 1
 L2: Data Rx to Tx
 L3: Video 2
 L4: Video 3
 L5: Video 4

STEP 9: Turn on the Source (CPU) last. Verify that all system features are functioning properly.



VelocityKVM-34 Transmitter



STEP 6: Four DVI-D cables (CBL-000009-002MR) are included. Connect one each to the CPU's DVI 1, 2, 3 and 4 Video Cards and the other ends to the VelocityKVM Transmitter's DVI IN 1, 2, 3 and 4 ports.

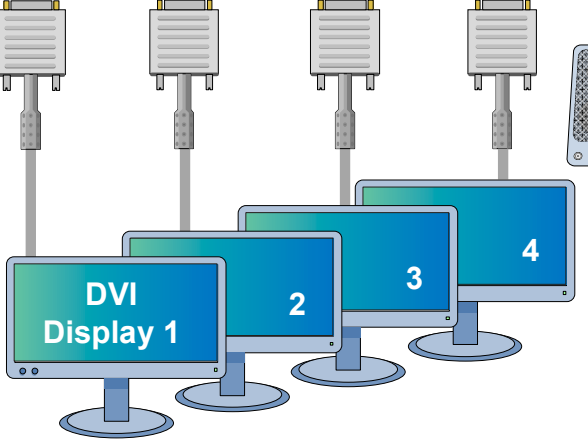
Note: Be sure to leave adequate ventilation space on both sides of the units (2" minimum), especially if the units are being stacked.

CONTENTS

Upon receiving your Thinklogical™ Velocitykvm-34 Extender, you should find the following items:

- VelocityKVM Extender Transmitter
- VelocityKVM Extender Receiver
- 2 AC power cords, PWR-000006-R (International connections may differ.)
- VelocityKVM Extender Cables:
 - 4 DVI-D Male Cables, 2 meters, CBL-000009-002MR
 - 1 Cable Kit (8 six ft. peripheral cables.) KIT-000005-R
- VelocityKVM Extender Product Manual

All physical connections to the product use industry-standard connectors.



STEP 2: Connect your desktop devices (monitors, keyboard, mouse, etc.) to the Receiver using standard cables.

7

STEP 7: If desired, connect your local keyboard and mouse by inserting the PS/2 or USB HID connectors into the VelocityKVM Transmitter's local devices receptacles.

8

STEP 8: Turn the Transmitter unit ON (1).

VelocityKVM Extenders are designed and identified as CLASS 1 LASER products. Class 1 laser products do not require special precautions under conditions of normal use.

1

STEP 1: Ensure that the POWER ON/OFF switch is in the OFF position (0) on both the Tx and Rx units. Connect the supplied AC Power Cords to both units and plug them into a standard AC supply. LEAVE BOTH SWITCHES IN THE OFF POSITION.

5

STEP 5: Connect your KVM devices to the CPU using the cables supplied in KIT-000005-R.

4

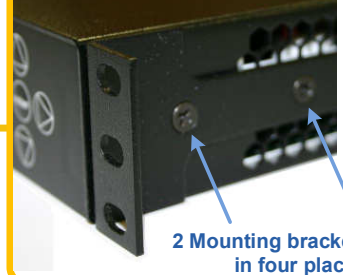
STEP 4: Connect your Multi-Mode Fiber Optic cables between the Transmitter and Receiver units. Connect: L1/Tx to L1/Rx, L2/Tx to L2/Rx, L3/Tx to L3/Rx, L4/Tx to L4/Rx and L5/Tx to L5/Rx.

3

STEP 3: Turn the Receiver unit ON (1).

2

RACK-MOUNT OR DESK-TOP OPTIONS: Like all Thinklogical™ KVM extenders, the VelocityKVM-34 can be mounted in a standard EIA 19" rack or on a shelf or desk-top.



Each mounting bracket is secured by four screws and can be safely removed from the transmitter or receiver unit for desk-top mounting after power has been removed from the unit. All screws should be reinstalled after the brackets have been removed.



PHONE: (800) 291-3211
 WEBSITE: www.thinklogical.com
 EMAIL: support@thinklogical.com

Visit us online at www.thinklogical.com for more product information, current updates and the complete line of Thinklogical™ products.